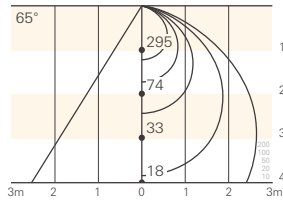


Direct horizontal surface light intensity distribution chart

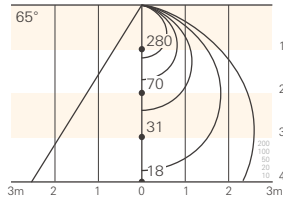
LFP15-0900-W-CL-I

Light source color 4200K
 Brightness 295 cd
 Luminous flux 818 lm
 Color rendering index Ra 90



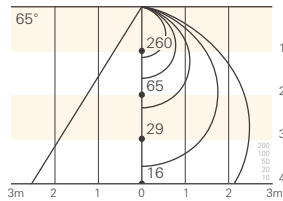
LFP15-0900-WW-CL-I

Light source color 3500K
 Brightness 280 cd
 Luminous flux 774 lm
 Color rendering index Ra 90



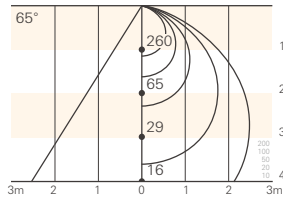
LFP15-0900-L30-CL-I

Light source color 3000K
 Brightness 260 cd
 Luminous flux 710 lm
 Color rendering index Ra 90



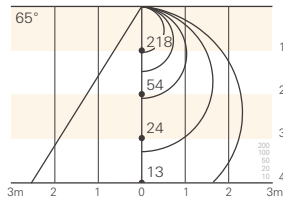
LFP15-0900-L27-CL-I

Light source color 2700K
 Brightness 260 cd
 Luminous flux 711 lm
 Color rendering index Ra 90



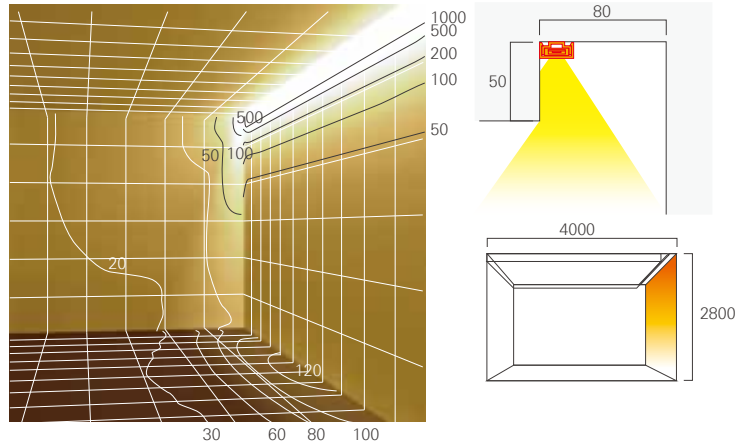
LFP15-0900-L24-CL-I

Light source color 2400K
 Brightness 218 cd
 Luminous flux 608 lm
 Color rendering index Ra 90

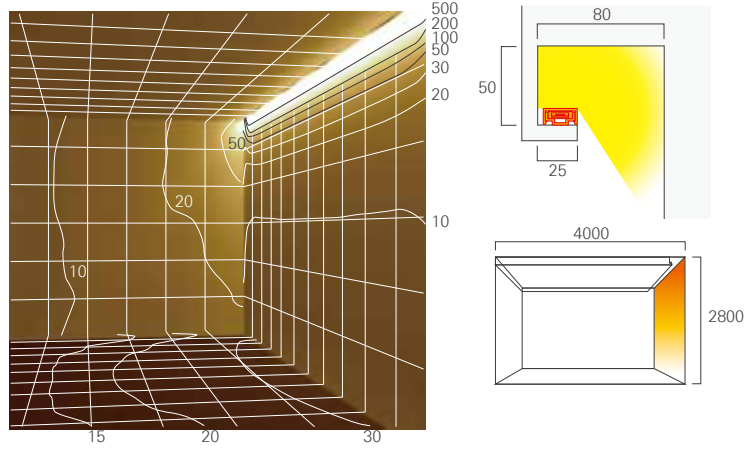


Recommend dimensions and illumination distributions

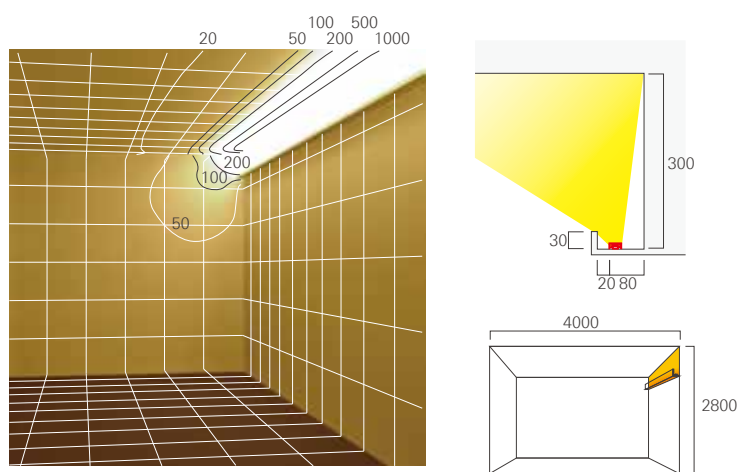
Cornice lighting-1 CH=2800



Cornice lighting-2 CH=2800

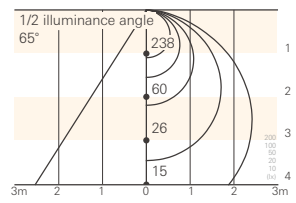


Cove lighting CH=2800

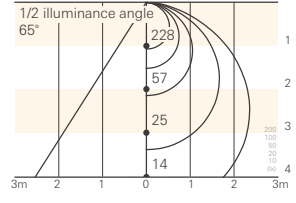


Direct horizontal surface light intensity distribution chart

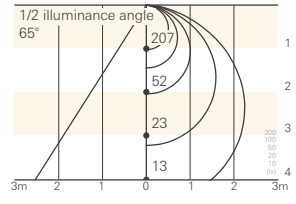
LFP20-1000-W-CL-I
 Light source color 4200K
 Brightness 238 cd
 Luminous flux 667 lm
 Color rendering index Ra 90



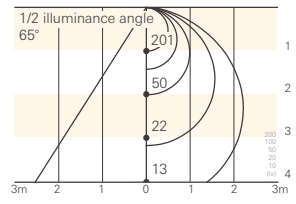
LFP20-1000-WW-CL-I
 Light source color 3500K
 Brightness 228 cd
 Luminous flux 639 lm
 Color rendering index Ra 90



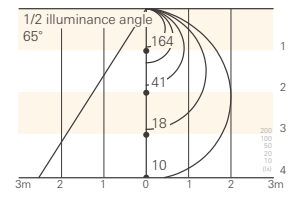
LFP20-1000-L30-CL-I
 Light source color 3000K
 Brightness 207 cd
 Luminous flux 579 lm
 Color rendering index Ra 90



LFP20-1000-L27-CL-I
 Light source color 2700K
 Brightness 201 cd
 Luminous flux 563 lm
 Color rendering index Ra 90

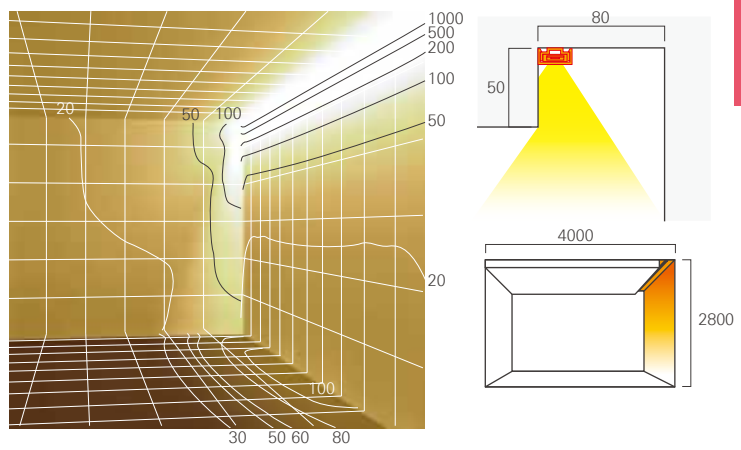


LFP20-1000-L24-CL-I
 Light source color 2400K
 Brightness 164 cd
 Luminous flux 459 lm
 Color rendering index Ra 90

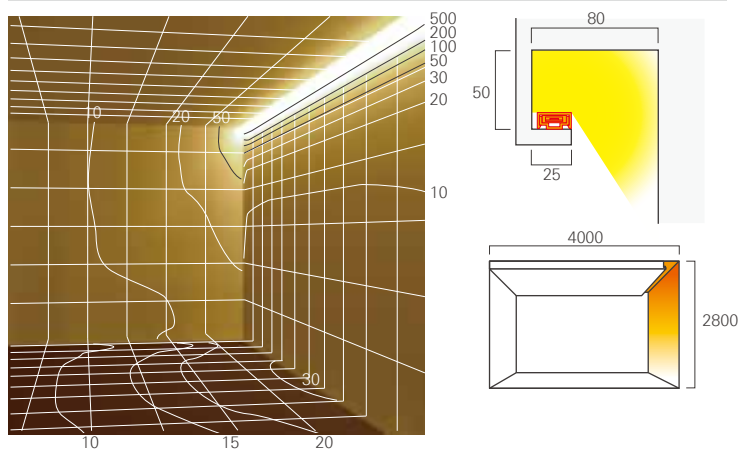


Recommend dimensions and illumination distributions

Cornice lighting-1 CH=2800



Cornice lighting-2 CH=2800



Cove lighting CH=2800

